

# Compact Package Chiller

Machine Model : W/AMPX 1-50 (AIRCOOL/WATERCOOL)

Machine System : Complete Package System



ENERGY EFFICIENCY  
in Industrial Processes

Think  
Green

**AMPLECOOL** 

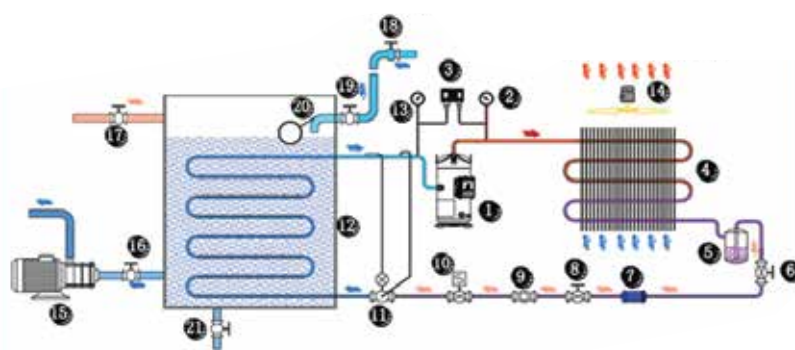
THE CHILLER MAKER

[www.amplecool.com](http://www.amplecool.com)

# SPECIFICATION : PACKAGE CHILLER

AMPX		1	1.5	2	3	5	7.5	10	15	20	30	40	50
Power Supply	V/ph/Hz	220 / 1 / 50			380/3/50 - 450/3/50								
<b>PERFORMANCE</b>													
Cooling capacity	BTU/Hr	12,000	18,000	25,000	38,000	60,900	92,000	123,000	180,000	253,000	369,000	480,000	600,000
	Tons	1	2	2	3	5	7.67	10	15	20.5	30	40	50
<b>COMPRESSOR</b>													
Compressor Type		Copeland Scroll											
Compressor Power	Hp	1.2	1.8	3	4	6	9	12	18	24	36	50	60
Refrigerant	Hp	R22/R407c											
Evaporator		Coil in Tank System/Shell & Tube system / Plate heat Exchange System											
Condensor		Aircooled Aluminium Fin with Copper tube "OR" watercooled shell & tube											
<b>PUMP</b>													
Pump Power	Hp	0.5	0.5	0.5	1	1	2	2	4	4	5.5	5.5	5.5
Flowrate	L/min	20-50	20-50	20-50	20-100	20-100	100-280	100-280	100-600	100-600	100-600	100-600	100-600
Pressure	Bar	1-2	1-2	1-2	2-3	2-3	2-3	2-3	2-3	2-3	2-3	2-3	2-3
Connection Size	Inch	1/2	1/2	1/2	1	1	1 1/2	1 1/2	2	2	2	3	3
<b>Tank</b>													
Capacity	Litre	30	30	50	70	100	200	200	400	400	400	500	500
<b>SIZE</b>													
Dimention	KG	90	100	120	165	265	375	500	630	72	900	1400	1500
W	cm	50	58	56	68	70	75	80	100	110	112	220	220
L	cm	70	90	90	115	115	146	150	185	200	265	200	215
H	cm	100	100	100	115	146	162	165	195	208	225	208	227

## Air Cooled Chiller Working Diagram



1. Compressor
2. High pressure gauge
3. High and low pressure protector
4. Condenser
5. High pressure accumulator
6. Angled shut-off valve
7. Filter dryer
8. Manual shut-off valve
9. Liquid mirror
10. Solenoid valve
11. Expansion valve/Capillary
12. Evaporator
13. Low pressure gauge
14. Fan
15. Frozen water pump
16. Outlet water shut-off valve
17. Inlet water shut-off valve
18. Tap water valve
19. Water supply valve
20. Tank water floating ball valve
21. Drain valve of water tank